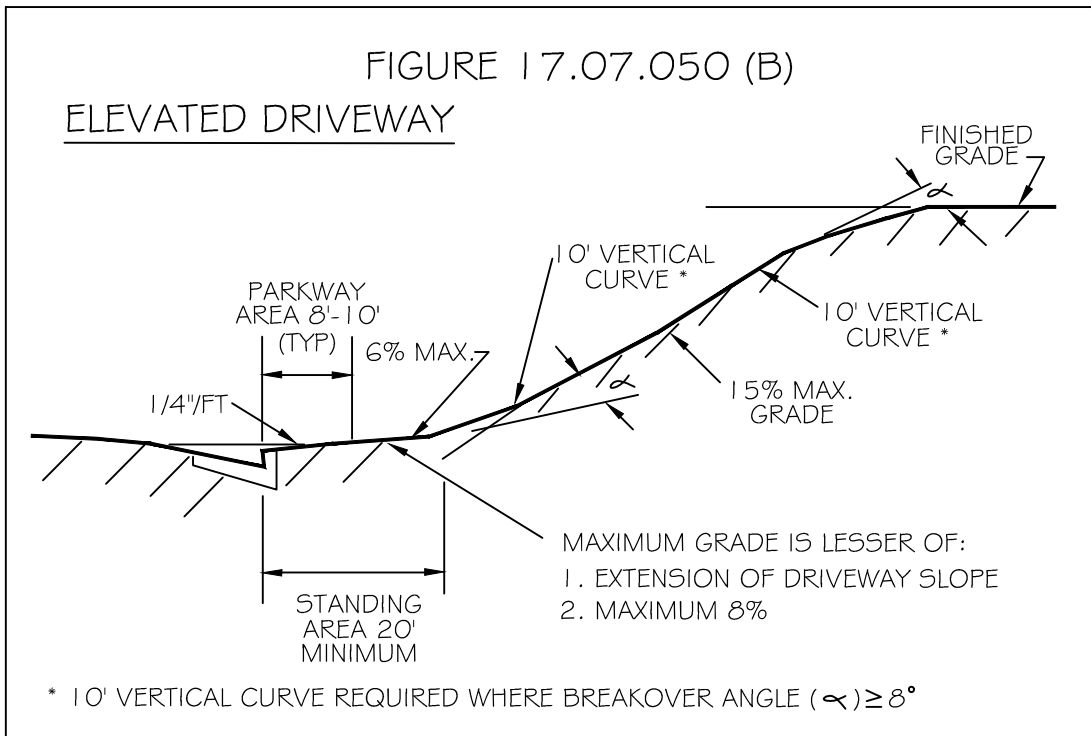
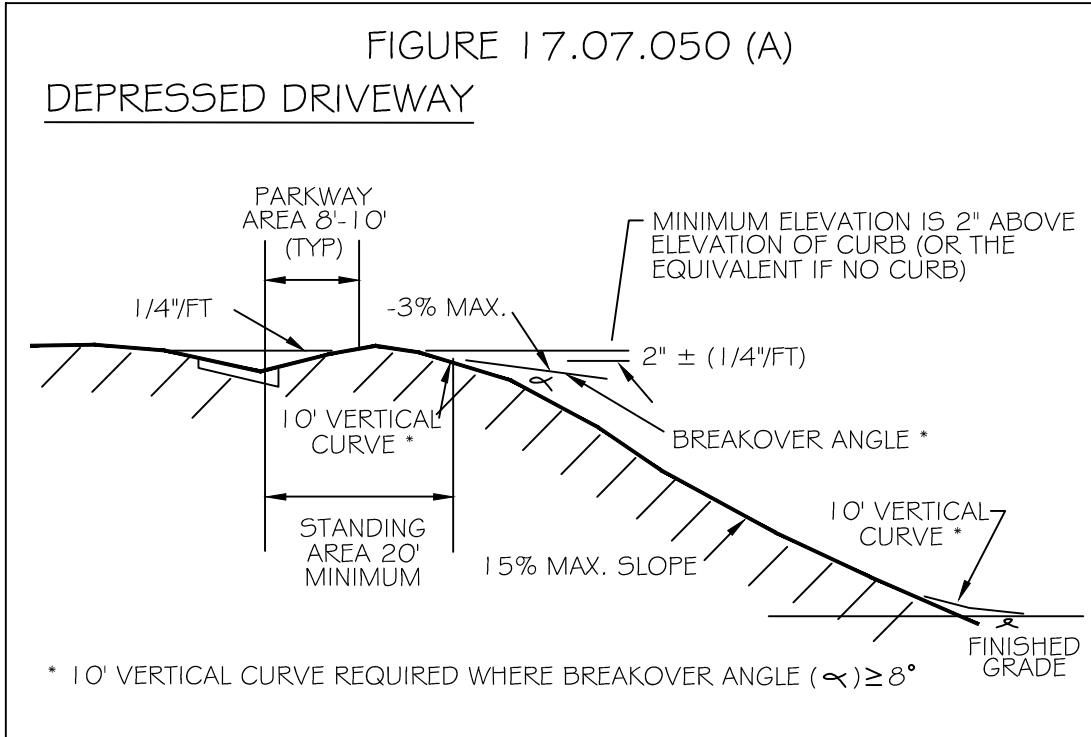


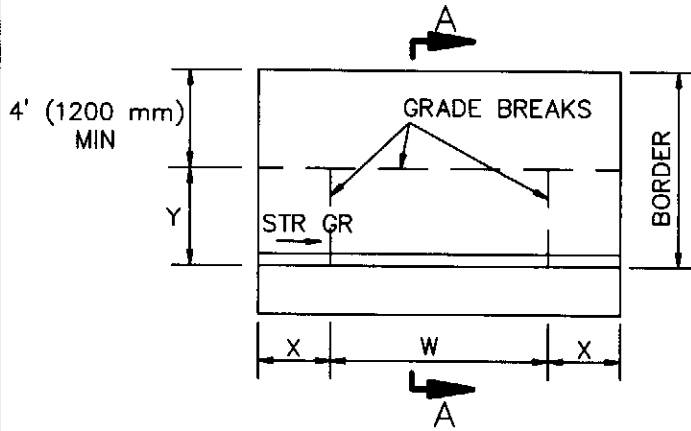
1327 FOTHILL BLVD.

**TYPICAL PLAT PLAN
(WITH DIMENSIONS)**

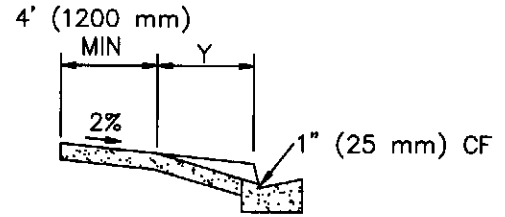
The applicant will have submit at driveway profile (cross-section) of both driveways before I can determine if the slopes and driveway approaches will be acceptable.

See attached driveway slope guideline.

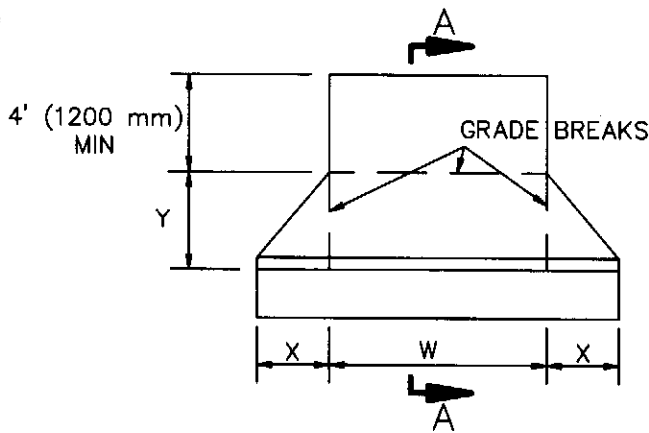




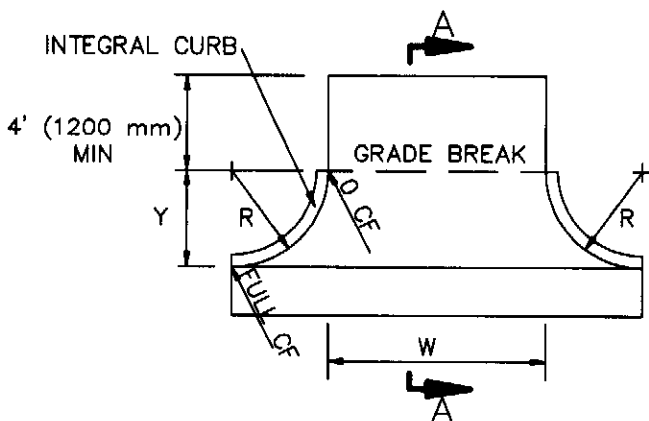
TYPE A



SECTION A-A



TYPE B



TYPE C

CURB FACE, inches (mm)	X, inches (mm)	Y, inches (mm)
6" (150) or less	3'-0" (900)	4'-0" (1200)
7" (175)	3'-6" (1050)	4'-9" (1425)
8" (200)	4'-0" (1200)	5'-8" (1700)
9" (225)	4'-6" (1350)	6'-6" (1950)
10" (250)	5'-0" (1500)	7'-3" (2175)
11" (275)	5'-6" (1650)	8'-0" (2400)
12" (300) or more	6'-0" (1800)	8'-9" (2625)

NOTES:

1. RESIDENTIAL DRIVEWAYS SHALL BE 4" (100 mm) THICK PCC.
2. COMMERCIAL DRIVEWAYS SHALL BE 6" (150 mm) THICK PCC.
3. WEAKENED PLANE JOINTS SHALL BE INSTALLED AT BOTH SIDES OF A DRIVEWAY AND AT 10' (3.0 m) INTERVALS.
4. CURB FOR TYPE C DRIVEWAY SHALL BE INTEGRAL AND MATCH ADJACENT CONSTRUCTION.
5. REFER TO LOCAL DEVELOPMENT REGULATIONS FOR AMERICANS WITH DISABILITIES ACCESS REQUIREMENTS AND MAXIMUM PERMITTED DRIVEWAY WIDTHS.

STANDARD PLANS FOR PUBLIC WORKS CONSTRUCTION

PROMULGATED BY THE
PUBLIC WORKS STANDARDS INC.
GREENBOOK COMMITTEE
1984
REV. 1996, 2009

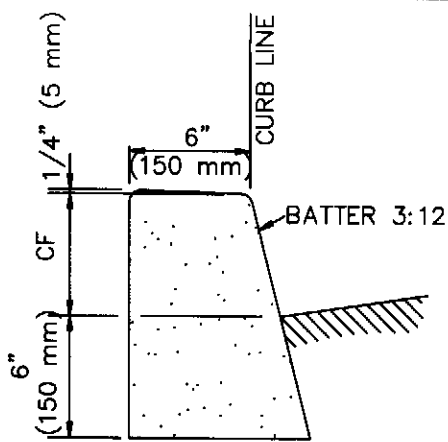
DRIVEWAY APPROACHES

STANDARD PLAN

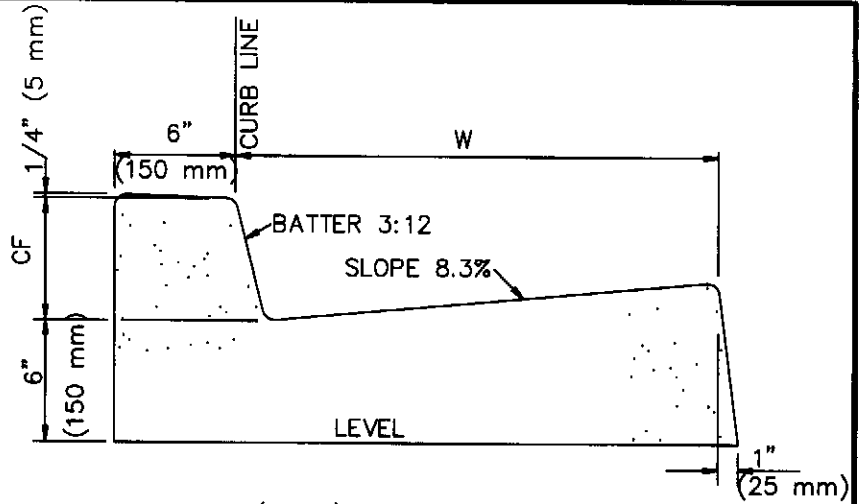
110-2

USE WITH STANDARD SPECIFICATIONS FOR PUBLIC WORKS CONSTRUCTION

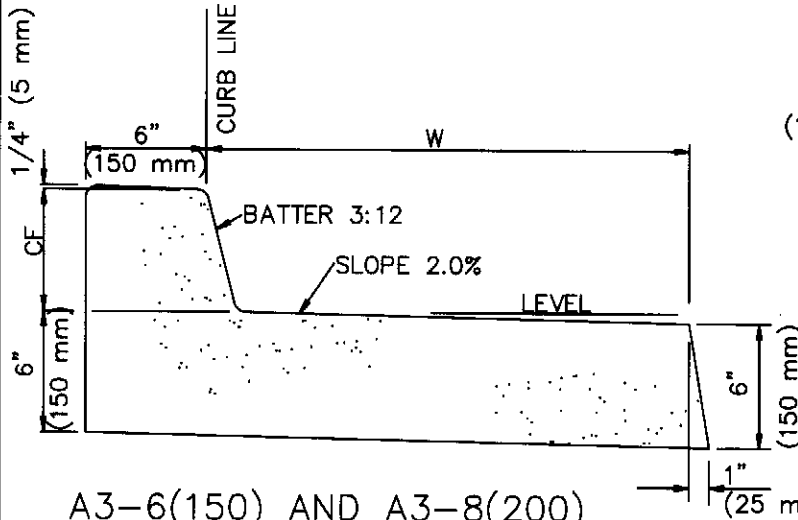
SHEET 1 OF 1



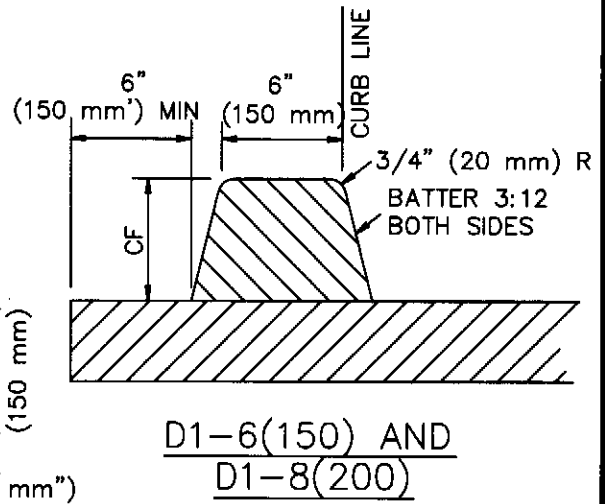
A1-6(150) AND
A1-8(200)



A2-6(150) AND A2-8(200)



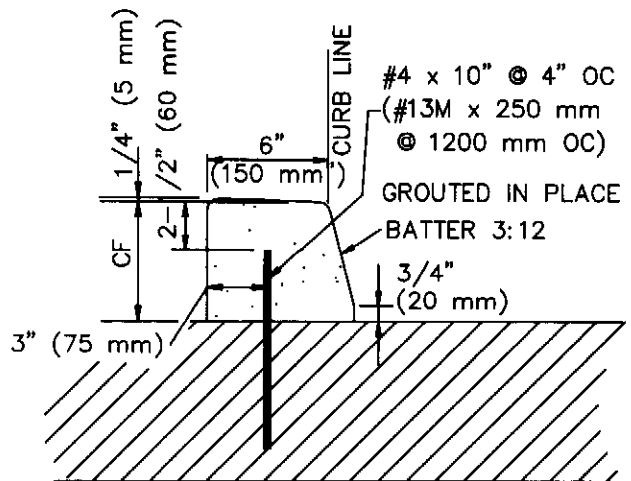
A3-6(150) AND A3-8(200)



D1-6(150) AND
D1-8(200)

NOTES:

1. THE LAST NUMBER IN THE DESIGNATION IS THE CURB FACE (CF) HEIGHT, INCHES (mm).
2. GUTTER WIDTH, W, IS 24" (600 mm) UNLESS OTHERWISE SPECIFIED.
3. TYPES A1, A2, A3 AND C1 SHALL BE CONSTRUCTED FROM PCC.
4. TYPE D1 CURB SHALL BE CONSTRUCTED FROM ASPHALT CONCRETE.
5. TYPE C1 CURB SHALL BE ANCHORED WITH STEEL DOWELS AS SHOWN OR WITH AN EPOXY APPROVED BY THE ENGINEER.
6. ALL EXPOSED CORNERS ON PCC CURBS AND GUTTERS SHALL BE ROUNDED WITH A 1/2" (15 mm) RADIUS.



C1-6(150) AND C1-8(200)

STANDARD PLAN FOR PUBLIC WORKS CONSTRUCTION

PROMULGATED BY THE
PUBLIC WORKS STANDARDS INC.
GREENBOOK COMMITTEE
1984
REV. 1998, 2009

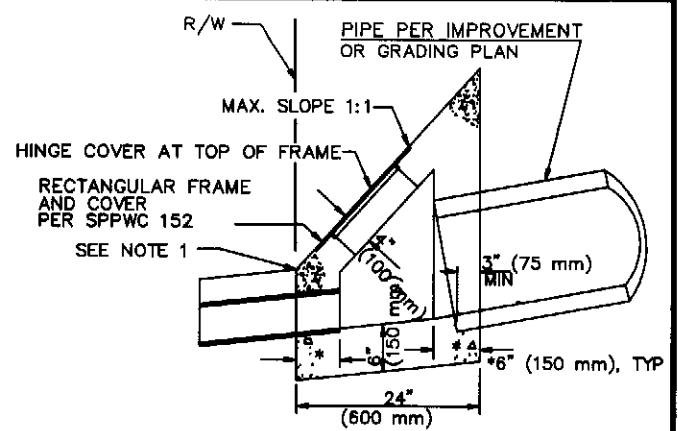
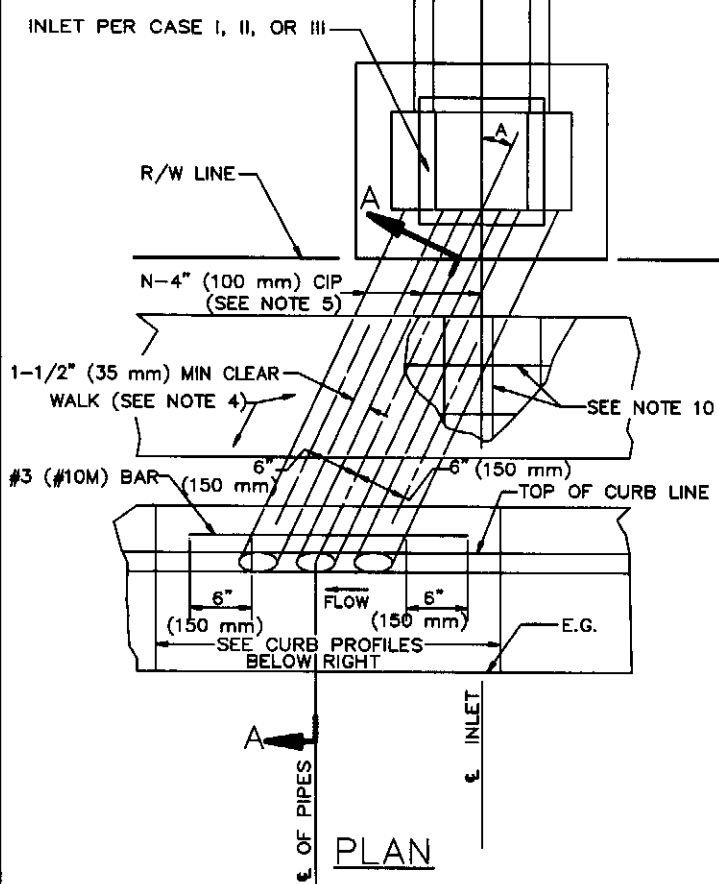
CURB AND GUTTER - BARRIER

USE WITH STANDARD SPECIFICATIONS FOR PUBLIC WORKS CONSTRUCTION

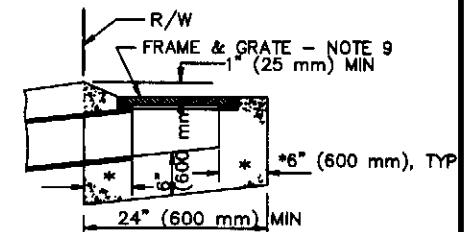
STANDARD PLAN

120-2

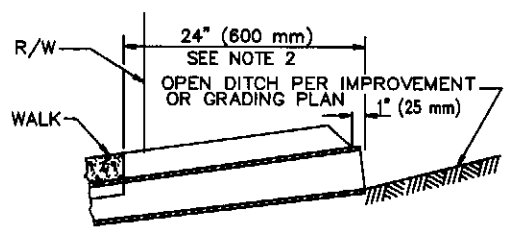
SHEET 1 OF 1



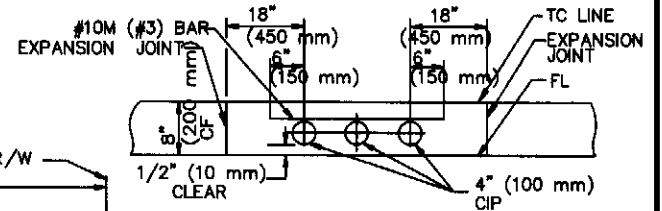
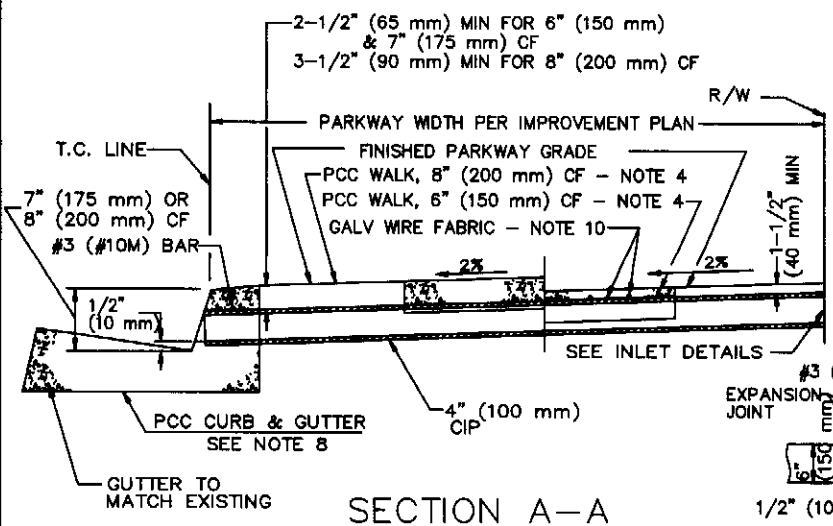
CASE I INLET
TRANSITION STRUCTURE SECTION



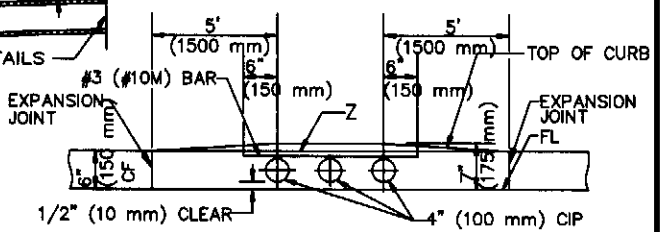
CASE II INLET
DROP INLET CATCH BASIN SECTION



CASE III INLET
GRADED DITCH SECTION



NOTE: APPLIES TO ANY NUMBER OF PIPES
CURB PROFILE
8" (200 mm) CURB FACE



NOTE: APPLIES TO ANY NUMBER OF PIPES
Z = TOP-OF-CURB LINE SHOWN ON PROFILE

CURB PROFILE
6" (150 mm) CURB FACE

STANDARD PLANS FOR PUBLIC WORKS CONSTRUCTION

PROMULGATED BY THE
PUBLIC WORKS STANDARDS INC.
GREENBOOK COMMITTEE
1984
REV. 1992, 1996, 2009

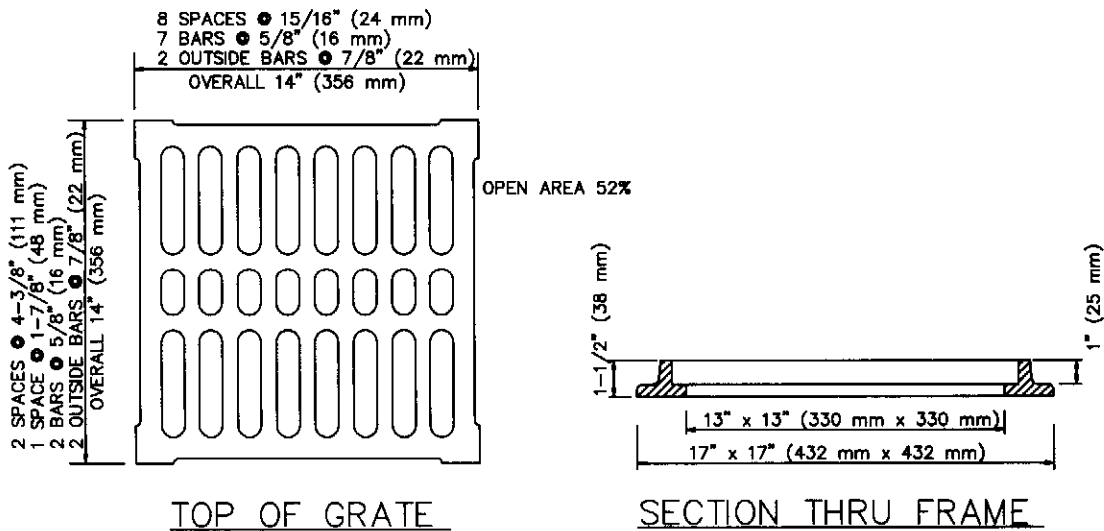
CURB DRAIN

STANDARD PLAN
150-3
SHEET 1 OF 2

USE WITH STANDARD SPECIFICATIONS FOR PUBLIC WORKS CONSTRUCTION

NOTES

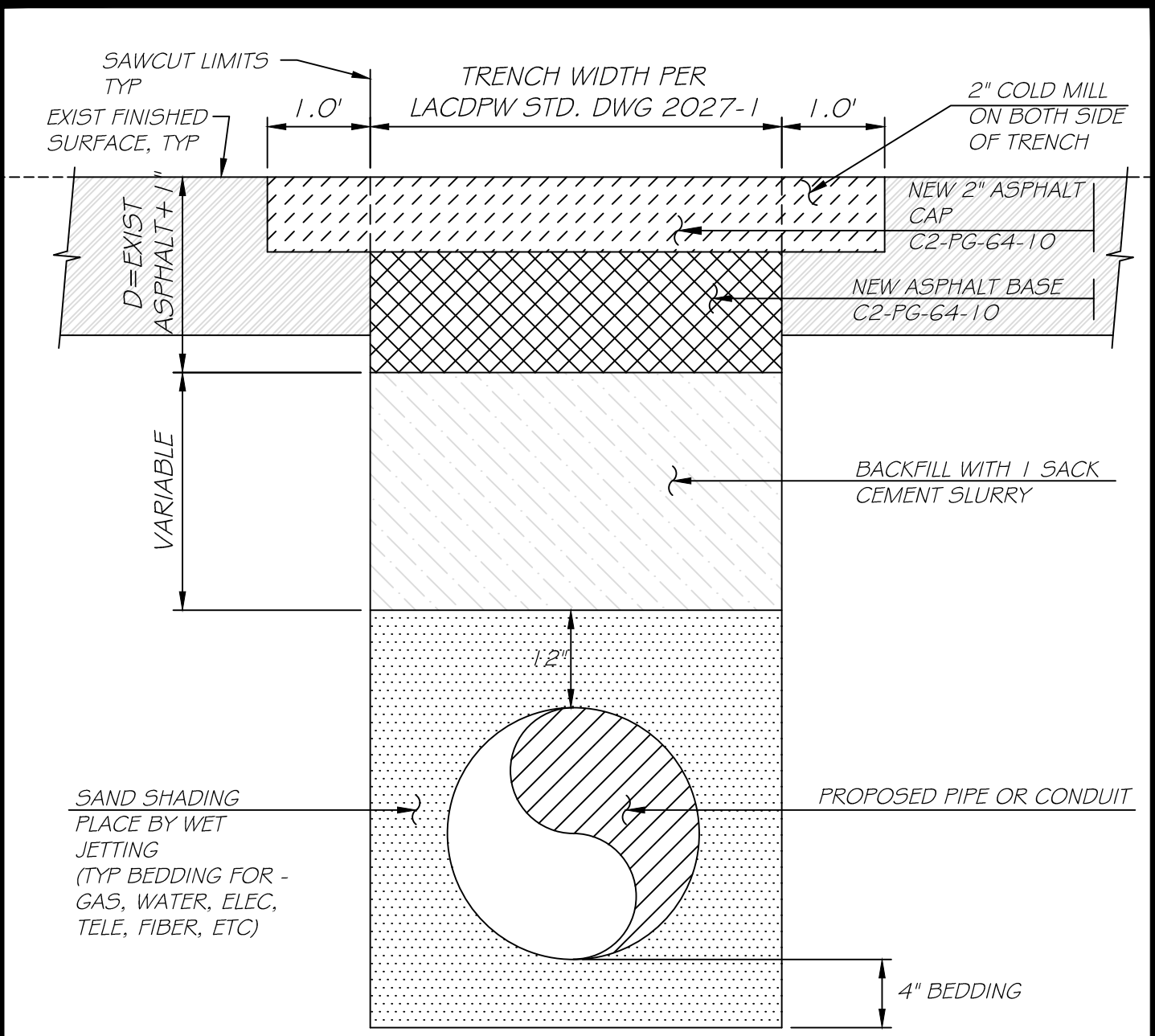
1. IF THE TOP OF SLOPE IS ALLOWED WITHIN THE R/W, INLET CASE I BEGINS AT THE TOP RATHER THAN THE R/W LINE.
2. FOR OPEN DITCH (CASE INLET III), THE 24" (600 mm) EXTENSION BEYOND THE R/W LINE IS NOT REQUIRED WHEN BACK OF WALK IS 24" (600 mm) OR MORE FROM THE R/W LINE; HOWEVER, PIPE SHALL EXTEND TO R/W LINE.
3. TOP OF INLET STRUCTURE (CASE I AND II) TO BE FLUSH WITH ADJACENT SURFACE WHERE PRACTICAL.
4. CONSTRUCT PCC WALK WHEN SPECIFIED ON PLANS. THE CONTRACT PRICE PAID FOR PCC WALK ITEM SHALL INCLUDE WALK CONSTRUCTED IN CONJUNCTION WITH PARKWAY CULVERT.
5. "N" EQUALS NUMBER OF PIPES (MAXIMUM OF THREE) AS SPECIFIED ON PLANS.
6. INLET CASE TO BE SPECIFIED ON PLANS.
7. ANGLE A EQUALS 0°, UNLESS OTHERWISE SPECIFIED.
8. TYPE, DIMENSIONS AND ELEVATIONS OF P.C.C. CURB AND GUTTER PER PLANS.
9. UNLESS OTHERWISE SPECIFIED, FRAME AND GRATE FOR CASE II INLET SHALL BE GALVANIZED CAST IRON. WEIGHT OF FRAME AND GRATE SHALL BE 80 LBS (36 kg).
10. AT LOCATIONS WITH LESS THAN 8" (200 mm) CURB FACE, USE 6x6-10/10 (152x152-MW9.1xMW9.1) GALVANIZED WIRE FABRIC. WIRE FABRIC SHALL EXTEND 8" (200 mm) BEYOND THE EDGE OF CAST IRON PIPES.



GRATE FOR CASE II INLET

FILE: H:\Capital Projects\Library\Resource\CITY\CityLaCanada\Flintridge-CA\LCF-Std-PWStdPlan\PW001-ACP\WMT-UtliTrenchDetail-01.dwg

USER: vtran
DATE: Jun 05, 2017 - 11:37am



TRENCH DETAIL

SCALE = NTS

IMPORTANT NOTICE

SECTION 4216/4217 OF THE GOVERNMENT CODE REQUIRES A DIG ALERT IDENTIFICATION NUMBER ISSUED BEFORE A "PERMIT TO EXCAVATE" WILL BE VALID. FOR YOUR DIG ALERT I.D. NUMBER CALL UNDERGROUND SERVICE ALERT, TOLL FREE 1-800- 227-2600 (811) TWO WORKING DAYS BEFORE YOU DIG.

REVISIONS					CITY OF LA CAÑADA FLINTRIDGE PUBLIC WORKS DEPARTMENT		
DATE	DESCRIPTION	BY	CHECKED	APPROVED	PROJECT: UTILITY TRENCH DETAIL		
					LIMITS: CITY STANDARD - PUBLIC WORKS		DWG. NO. PW-001
					SCALE: NTS	BUDGET ACCOUNT NO.: 00-00-0000	SHEET 1 OF 1